

MODEL: COMMANDER 280
TYPE: GASOLINE POWERED TRUCK
MODEL YEAR: 2010

Part No.: 605813, 606685 California



PRODUCT SPECIFICATION

CONFIGURATION HIGHLIGHTS

- Engine:** 13 hp (9.7 kW) Exceeds SAE J1940 Standard, 4 cycle, 24.5 ci (401 cc) single cylinder, air-cooled by Kawasaki
- **Valve Train:** Overhead valve
 - **Lubrication:** Pressurized oil system, spin-on oil filter
 - **Balancer:** Internal counter rotating balance shaft
 - **Fuel System:** Fixed float bowl with remote pulse fuel pump
 - **Ignition:** Electronic spark/magneto
 - **Air Cleaner:** Replaceable dry cartridge
- Electrical:** Starter/Generator, solid-state regulator, 12 Volt maintenance free battery (425 CCA, 60 minute reserve)
- Drive Train:** Automatic, continuously variable transmission (CVT)
- Brakes:** Dual rear wheel mechanical self-adjusting drum brakes. Automatic single point park brake release with self-compensating system
- Transaxle:** Differential with helical gears, ground speed governor, forward/reverse
- Capacity:** Seating for 2 persons.

PRODUCT OVERVIEW

Dimensions

Overall Length	103.0 in (260 cm)
Overall Width	46.5 in (118 cm)
Overall Height (No Canopy)	48.6 in (123 cm) (Top of steering wheel)
Overall Height (With Canopy)	72.0 in (183 cm)
Wheel Base	65.5 in (166 cm)
Front Wheel Track	37.0 in (94 cm)
Rear Wheel Track	38.0 in (97 cm)
Gnd Clearance @ Differential	3.3 in (8 cm)
Cargo Box Width (inside)	44.5 in (113 cm)
Cargo Box Length (inside)	30.5 in (77 cm)
Cargo Box Depth (inside)	7.5 in (19 cm)
Cargo Box Capacity	5.9 cu ft (0.17 m3)
Cargo Box Material	Roto-molded polyethylene

Vehicle Power

Power Source	4 Cycle 24.5 cu in (401 cc). Low E
Valve Train	Single Cylinder OHV
Horsepower (kW)	13 hp (9.7 kW) Exceeds SAE J1940 Std.
Electrical System	Starter/Generator. Solid State Regulator
Batteries (Qty, Type)	One, 12 Volt Maintenance Free
Key or Pedal Start	Pedal
Air Cleaner	Industrial Rated Dry Filter
Lubrication	Pressurized Oil System
Oil Filter	Spin-On
Cooling System	Air Cooled
Fuel Capacity	5.8 Gallon (22.0 L) tank
Drive Train	Continuously variable transmission (CVT)
Transaxle	Differential with helical gears
Gear Selection	Forward - Reverse
Rear Axle Ratio	11.42:1 (Forward) 15.78:1 (Reverse)

Performance

Seating Capacity	2 Persons
Dry Weight	750 lb (340 kg)
Curb Weight	780 lb (355 kg)
Bed Load Capacity	500 lb (225 kg)
Vehicle load capacity	800 lb (360 kg)
Outside Clearance Circle	18.9 ft (5.8 m)
Speed - Forward	14.0 mph ± 0.5 mph (22.5 kph ± 0.8 kph)
Speed - Reverse	10.1 mph ± 0.5 mph (16.3 kph ± 0.8 kph)
Towing Capacity (Trailer Load)	2075 lb (940 kg)

Steering & Suspension

Steering	Self-compensating rack and pinion
Front Suspension	Leaf springs with hydraulic shock absorbers
Rear Suspension	Leaf springs with hydraulic shock absorbers
Service Brake	Rear wheel mechanical self-adjusting drum
Parking Brake	Self-compensating, single point engagement
Front Tires	USA Trail 5.70 x 8 - 8 (Load Range C)
Rear Tires	USA Trail 5.70 x 8 - 8 (Load Range C)

Body & Chassis

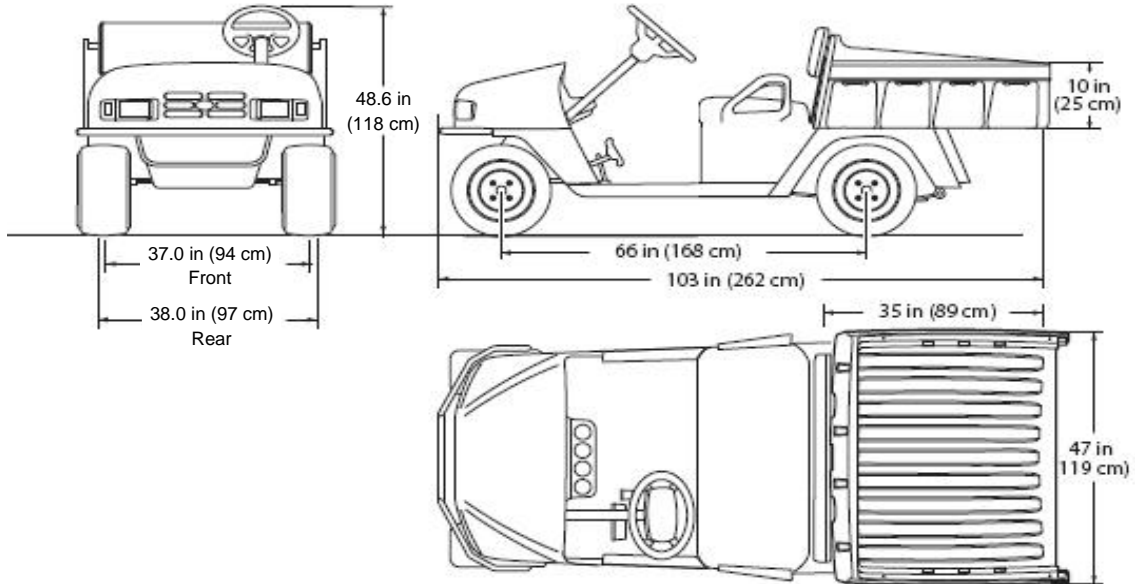
Frame	Welded steel with DuraShield™ powder coat
Front Body & Finish	Injection molded TPO
Rear Body & Finish	Steel. Base coat/clear coat
Standard Color	Safety Yellow

Some items shown may be optional equipment

OPTIONS & FIELD INSTALLED ACCESSORIES (Installation not included)*

Item	Std	Opt	Fld	Item	Std	Opt	Fld
TIRES & WHEELS:				Miscellaneous Electrical (Cont'd):			
Front & Rear:				Heavy Duty Battery (525 CCA @ 0°F)			
USA Trail 5.70 x 8 - 8 (Load Range C)	●			Unique Individual Key Switch		●	
Sure Trail 18.50 x 8.50 - 8 (6 Ply - Load Range C)		●		PERFORMANCE OPTIONS:			
Links 18.50 x 8.50 - 8		●		Front Bumper/Brush Guard		●	
Turf Saver 18.50 x 8.50 - 8		●		High Altitude Jets (3,000-6,000 ft, >6,000 ft)		●	
Wheel Covers:				Front Hydraulic Disc Brakes		●	
Black & Gold Spokes		●		Spark Arrestor			●
Black & Silver Spokes		●		Brush Guard Cage			●
VEHICLE COLORS:				Clutch Belt Shield			●
Safety Yellow	●			OTHER OPTIONS & ACCESSORIES			
Champaign Beige		●		Ash Tray		●	
Hunter Green		●		Locking Glove Box Doors			●
Bright White		●		Rear View Mirror (Sun Canopy Top Required)			●
Black		●		WEATHER PROTECTION:			
Jacobsen Orange		●		Champagne Beige Sun Canopy Top			●
Flame Red		●		Tan Sun Canopy Top			●
SEAT COLORS:				Tan Sun Canopy Top for Brush Guard Cage			●
Black	●			Fixed/Flat Windshield for Sun Canopy Top			●
Oyster		●		Fold-Down/Split Windshield for Sun Canopy Top			●
Gray		●		Fixed/Flat Lexan Windshield for Sun Canopy Top			●
HAULING & TOWING:				Fold-Down/Split Lexan Windshield for Sun Canopy Top			●
36" Black Plastic Bed Manual Lift	●			Fixed/Flat Windshield for Brush Guard Cage			●
36" Black Plastic Bed with Gas Spring Assist		●		Tan 3-sided Weather Enclosure (Top & Windshield Req'd)			●
36" Black Plastic Bed with Electric Lift		●		White 3-sided Weather Enclosure (Top & Windshield Req'd)			●
2" Rear Receiver Kit		●		VEHICLE CABS & ACCESSORIES FOR CABS			
1 7/8 in (48 mm) Ball Hitch		●		Tan Steel Cab			●
1 7/8 in (48 mm) Drop Ball Hitch		●		White Steel Cab			●
Angle Hitch		●		Tan Steel Cab Doors			●
Drop Angle Hitch		●		White Steel Cab Doors			●
Clevis Hitch		●		Tan Vinyl Cab Doors			●
Drop Clevis Hitch		●		Windshield Wiper			●
Dump Trailer wth Poly Bed			●	Rear View Mirror			●
Dump Trailer wth Steel Bed			●	12 V Heater			●
ELECTRICAL:				Defroster/Cooling Fan			●
Lighting				Interior Dome Light			●
Headlights	●			Work Light			●
Tail Lights		●		Strobe Light			●
Brake Lights		●		Amber Beacon			●
Turn Signals with 4-Way Flashers		●		Switch Panel/Fuse Block			●
Work Lights			●	VEHICLE CERTIFICATION KIT(S)			
Work Lights with Strobe Light			●	CE Certification Kit		●	
Miscellaneous Electrical							
Horn	●						
Fuel Gauge & Low Oil Light		●					
Hour Meter		●					
12 Volt Accessory Outlet		●					

DIMENSIONS



CLEARANCE CIRCLE DIAGRAM

